



Hatch Covers

Hatch Covers

- **4 Sizes available (100mm, 125mm, 150mm and 200mm)**
- **4 Colours available (Black, White, Grey and Clear/White)**
- **Multi point thread ring**
- **Water tight 'O' ring seal**
- **Easy to unscrew in all weather conditions**
- **A standard for dinghy builders**



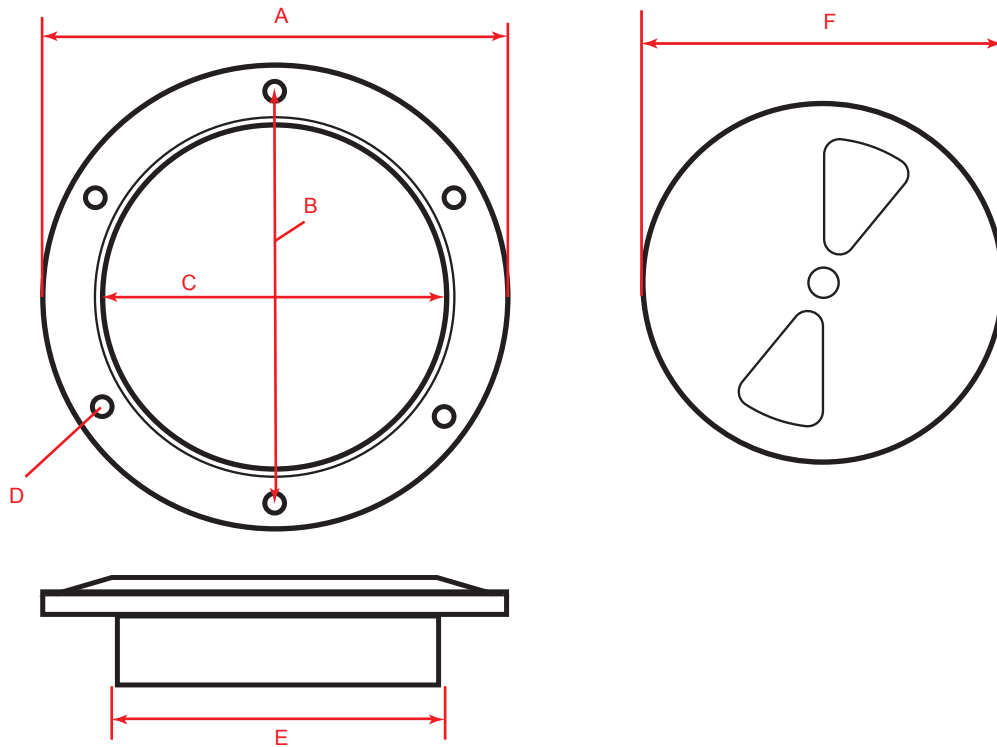
Inspection covers allow access to remote areas in water tight bulkheads, buoyancy tanks, water tanks etc. RWO's hatch covers come in 4 sizes - 100mm, 125mm, 150mm and 200mm. They also come in 4 different colours - Black, White, Grey and Clear/White (Clear lid with White ring).

The fully threaded lid with the multi point threaded ring ensures the ability to unscrew in any weather condition. Together with the 'O' ring seal for total water tightness.

Our inspection covers are a standard within all dinghy manufacturers, though the style has changed over the years the thread mechanism has remained the consistent-making upgrading the covers very easy.

Lid and ring made from Polypropylene PPH-TD20

'O' ring seal made from Black Nitrile 70 Shore



	Part No	A	B	C	D	E	F	Colour
100 Series	R4040	134mm	120mm	95mm	4mm	107mm	107mm	White
	R4042	134mm	120mm	95mm	4mm	107mm	107mm	Black
	R4043	134mm	120mm	95mm	4mm	107mm	107mm	White/Clear
	R4044	134mm	120mm	95mm	4mm	107mm	107mm	Grey
125 Series	R4050	167mm	153mm	126mm	4mm	138mm	139mm	White
	R4052	167mm	153mm	126mm	4mm	138mm	139mm	Black
	R4053	167mm	153mm	126mm	4mm	138mm	139mm	White/Clear
	R4054	167mm	153mm	126mm	4mm	138mm	139mm	Grey
150 Series	R4060	187mm	171mm	146mm	4mm	156mm	156mm	White
	R4062	187mm	171mm	146mm	4mm	156mm	156mm	Black
	R4063	187mm	171mm	146mm	4mm	156mm	156mm	White/Clear
	R4064	187mm	171mm	146mm	4mm	156mm	156mm	Grey
200 Series	R4080	256mm	240mm	200mm	5mm	216mm	220mm	White
	R4082	256mm	240mm	200mm	5mm	216mm	220mm	Black
	R4083	256mm	240mm	200mm	5mm	216mm	220mm	White/Clear
	R4084	256mm	240mm	200mm	5mm	216mm	220mm	Grey