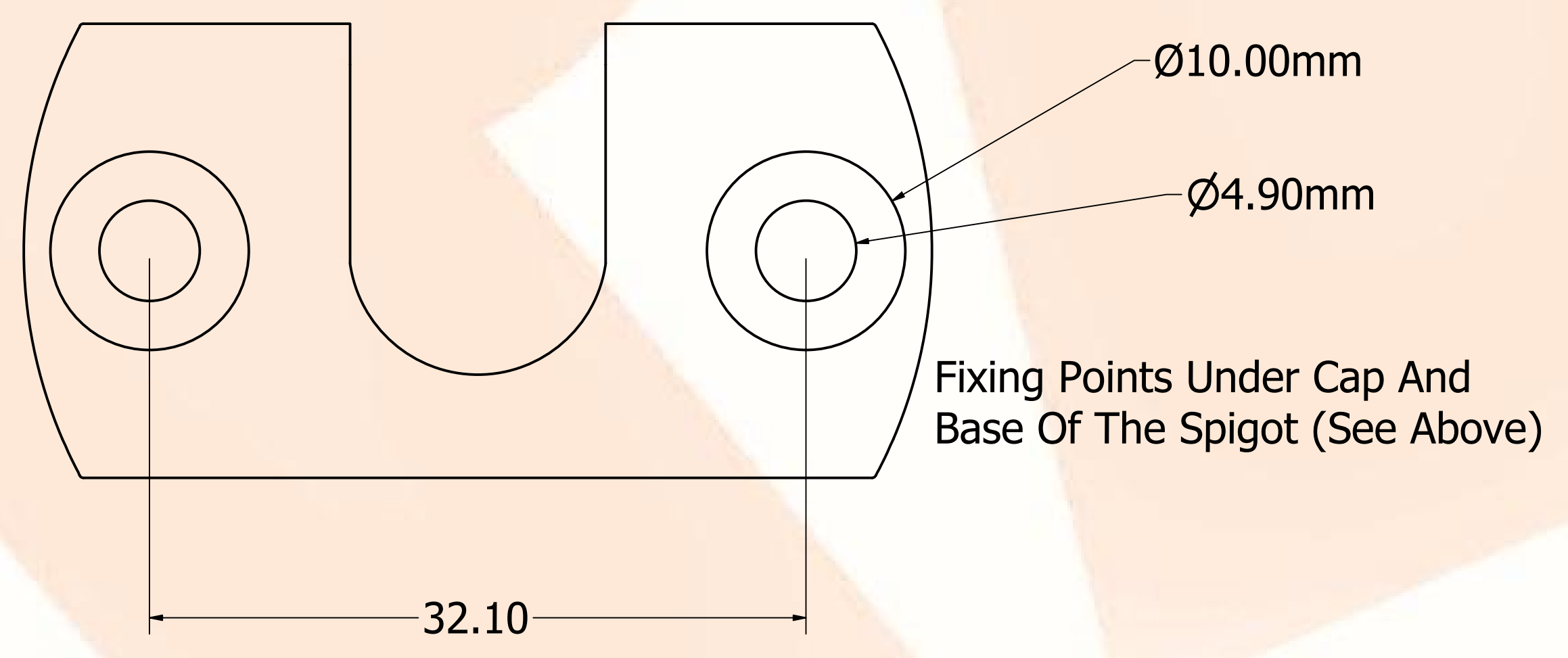


Joint Able To Bend From Base Of Spigot (Fully Flexed)



PART INFO	Scale: N.T.S.
PART NAME: Universal Joint PART ID: R0840 DOC ID: R0840	